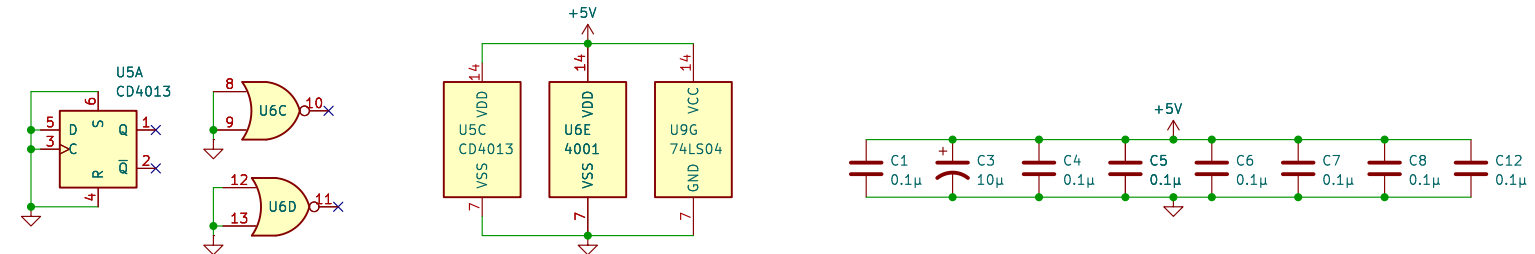


Audio IO  
File: audioio.kicad\_sch

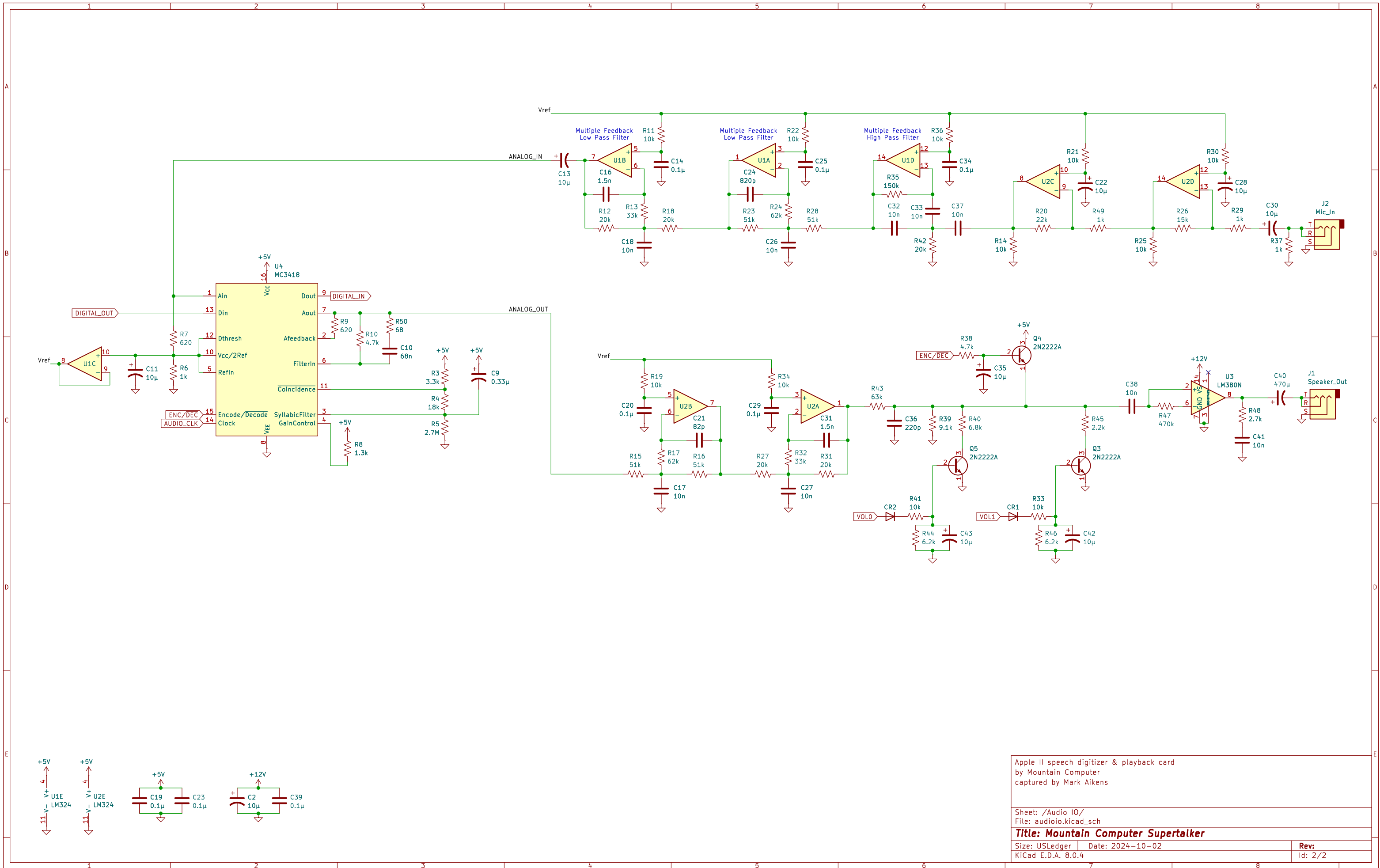


Apple II speech digitizer & playback card  
by Mountain Computer  
captured by Mark Aikens

---

Sheet: /  
File: Mountain-Computer-Supertalker.kicad\_sch  
**Title: Mountain Computer Supertalker**

Size: USLedger	Date: 2024-10-02	Rev:
KiCad E.D.A. 8.0.4		Id: 1/2



Apple II speech digitizer & playback card  
 by Mountain Computer  
 captured by Mark Aikens

---

Sheet: /Audio 10/  
 File: audioio.kicad\_sch

**Title: Mountain Computer Supertalker**

Size: USLedger	Date: 2024-10-02	Rev:
KiCad E.D.A. 8.0.4		Id: 2/2