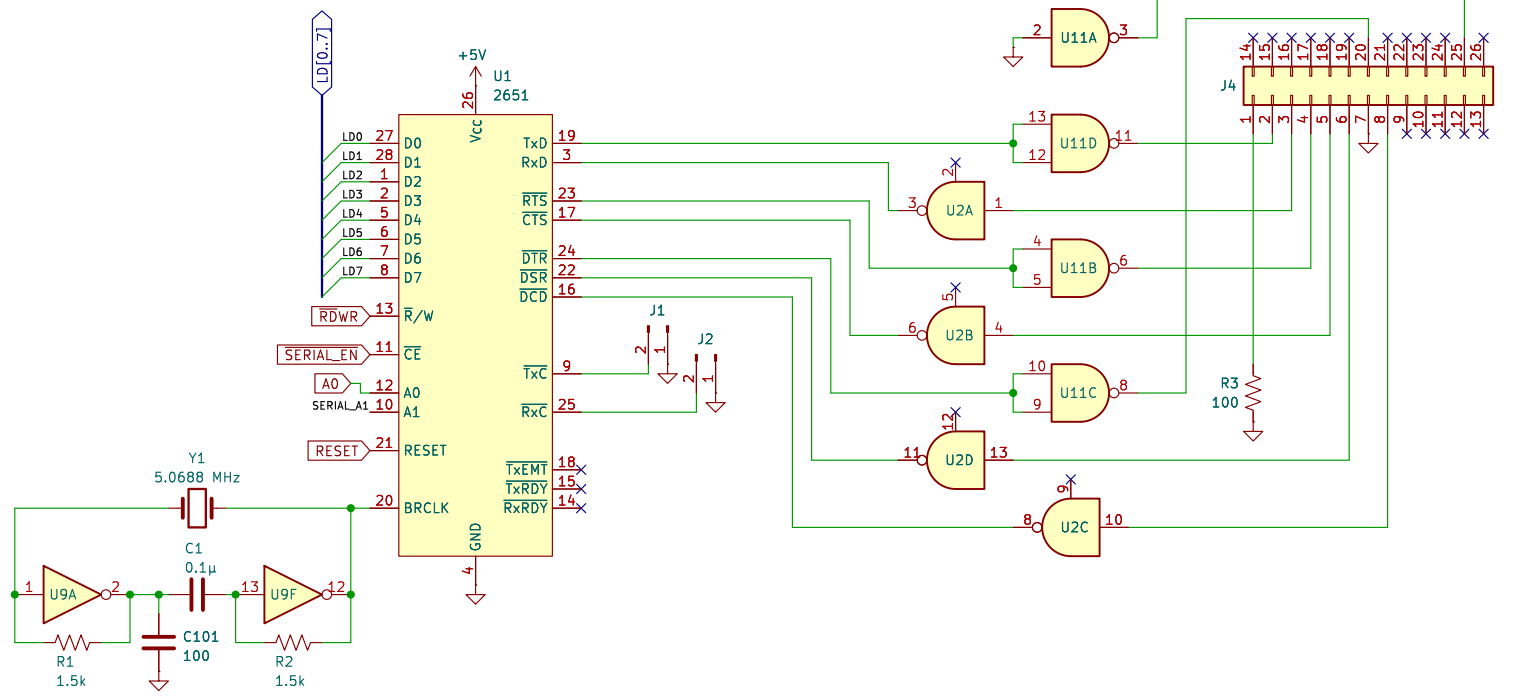
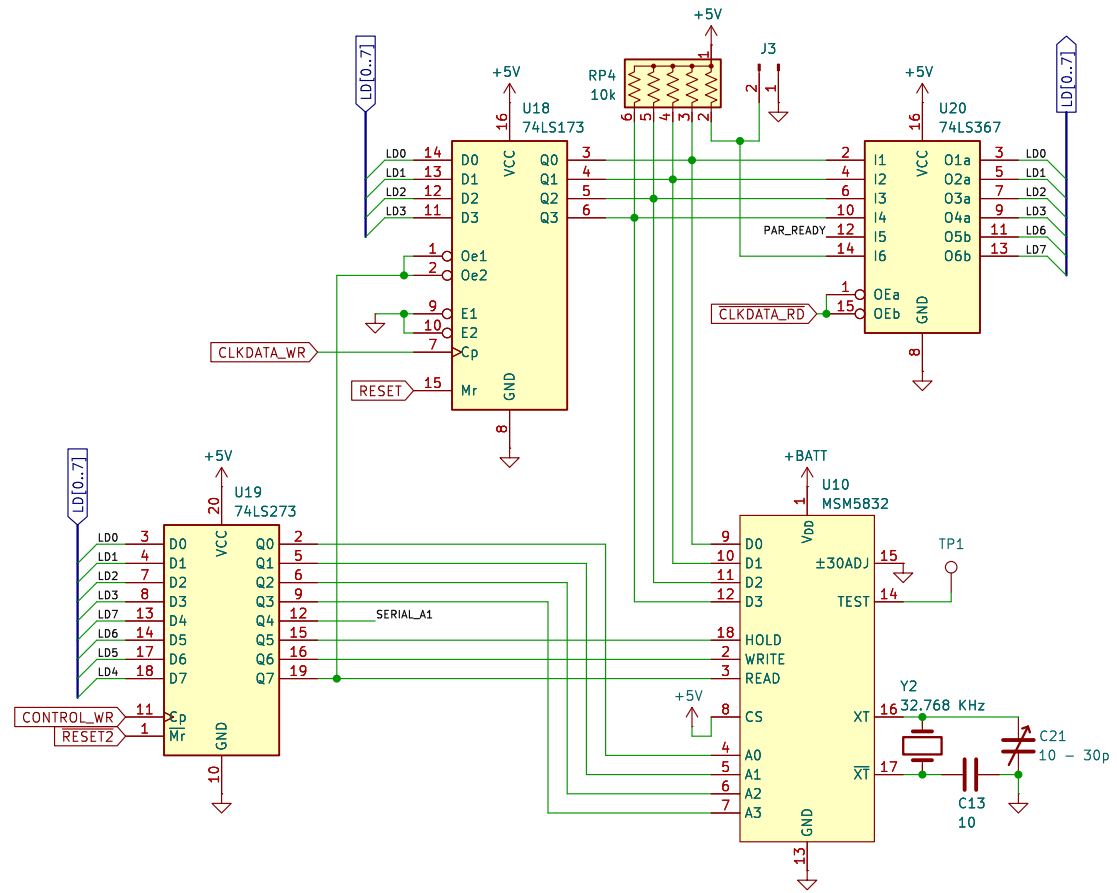
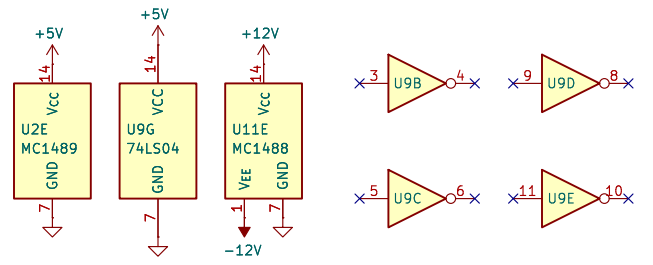
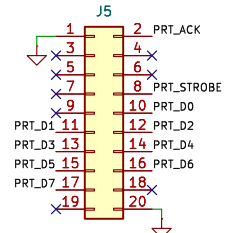
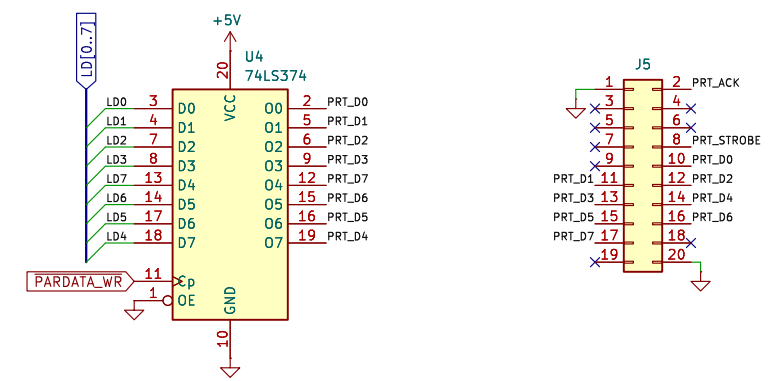
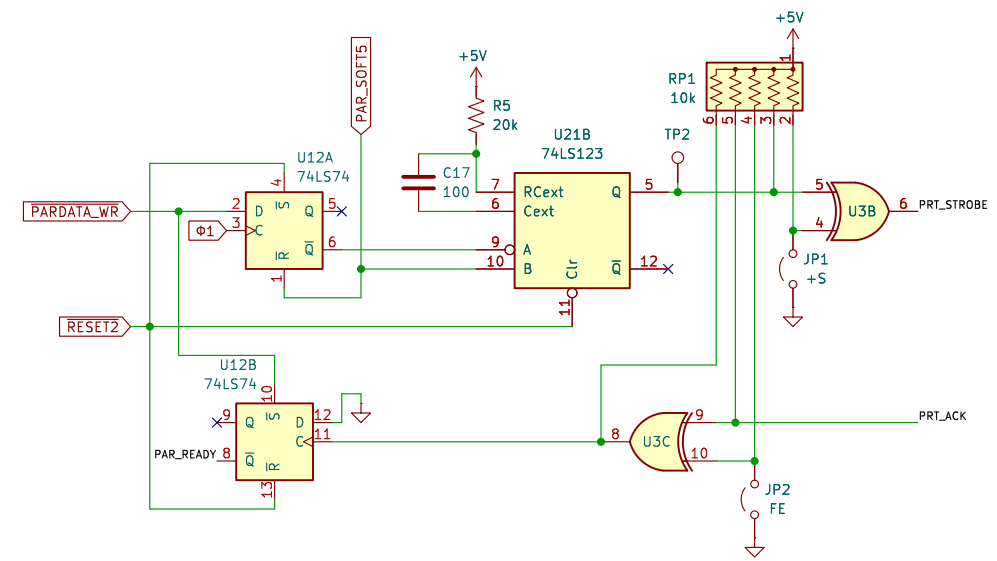
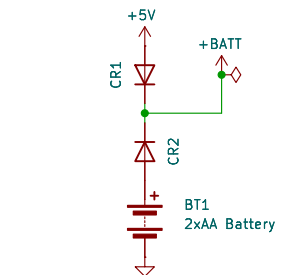


Multifunction Clock/Parallel/Serial interface for Apple II  
 by Mountain Computer  
 captured by Mark Aikens

Sheet: /  
 File: Mountain-Computer-CPS-Multifunction-Card.kicad\_sch  
**Title: Mountain Computer CPS Multifunction Card**  
 Size: USLedger Date: 2024-08-20 Rev:  
 KiCad E.D.A. 8.0.4 Id: 1/2



Pin numbering matches the manual.  
The pin ordering is different than J5.



Multifunction Clock/Parallel/Serial interface for Apple II  
by Mountain Computer  
captured by Mark Aikens