

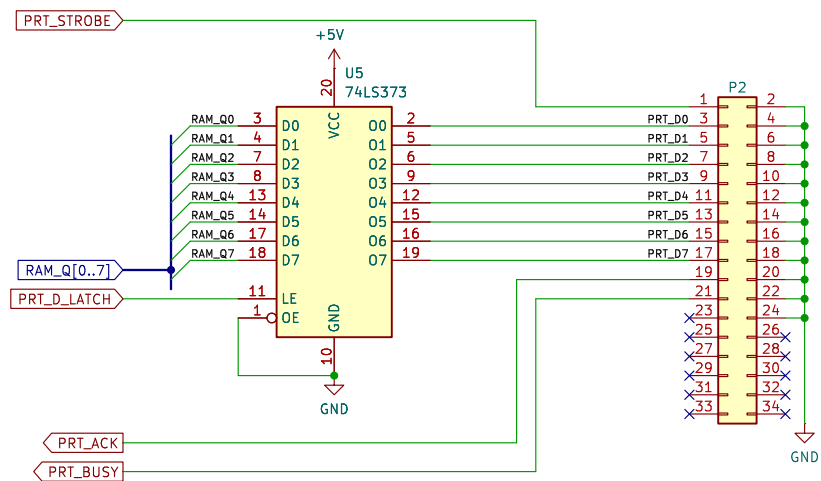
Apple II Printer Card  
 by Microtek  
 captured by Mark Aikens

Sheet: /RAM/  
 File: ram.kicad\_sch

**Title: Microtek Dumpling-64 Printer Card**

Size: USLetter Date: 2024-01-19  
 KiCad E.D.A. 8.0.1

Rev: 926B  
 Id: 2/3



Apple II Printer Card  
 by Microtek  
 captured by Mark Aikens

Sheet: /Port/  
 File: port.kicad\_sch

**Title: Microtek Dumpling-64 Printer Card**

Size: USLetter | Date: 2024-01-19  
 KiCad E.D.A. 8.0.1

Rev: 926B  
 Id: 3/3