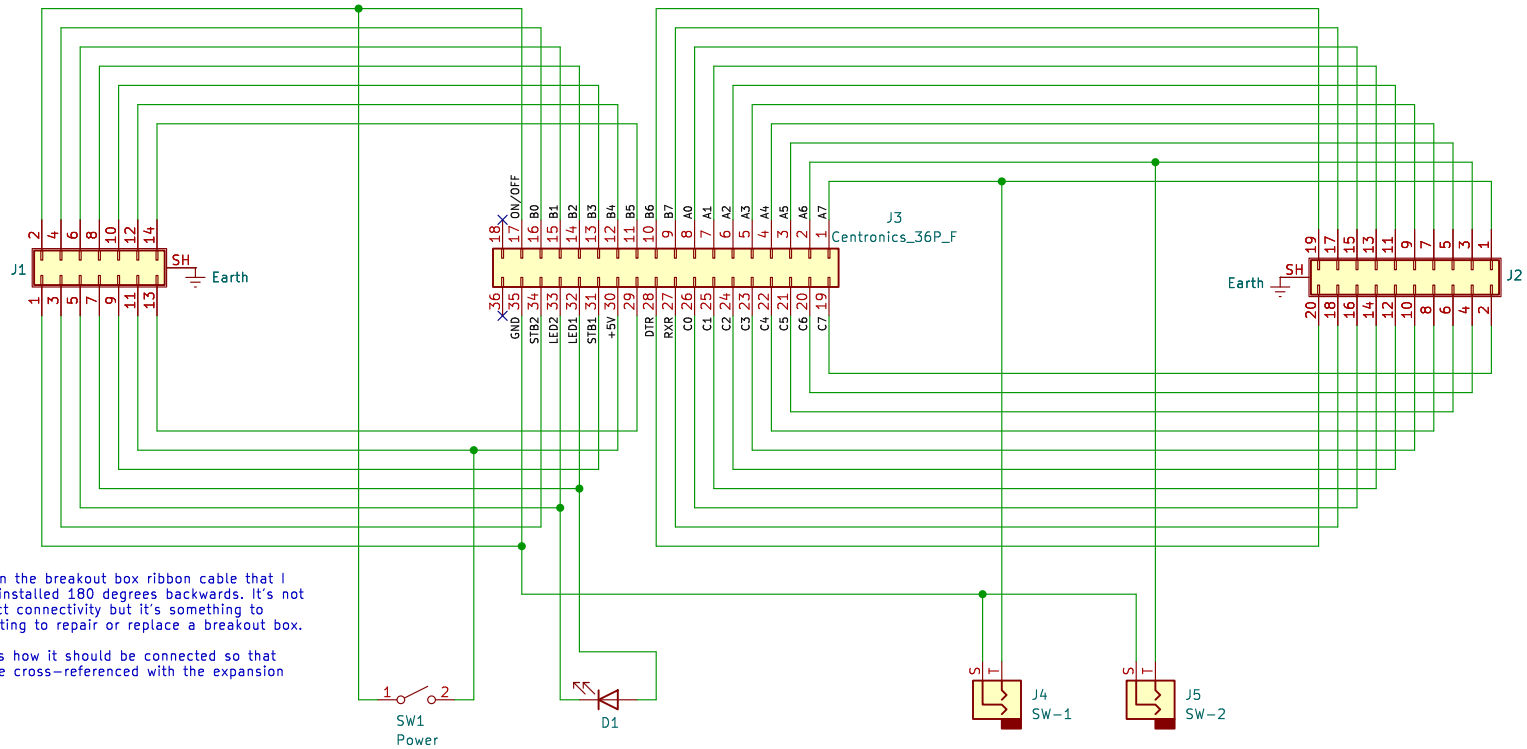


The ribbon cables are shielded with a lug connected to the Apple II case.



Note: The J1 connector on the breakout box ribbon cable that I inspected appears to be installed 180 degrees backwards. It's not keyed so it doesn't impact connectivity but it's something to look out for when attempting to repair or replace a breakout box.

The schematic here shows how it should be connected so that these pinouts here can be cross-referenced with the expansion card's schematic.

I/O Breakout Box for the G32 Adaptive Firmware Card  
 by Adaptive Peripherals  
 captured by Mark Aikens

Sheet: /  
 File: Adaptive-Peripherals-AFC-IO-Box.kicad\_sch

**Title: Adaptive Peripherals G32 AFC I/O Box**

Size: USLetter Date: 2024-11-14  
 KiCad E.D.A. 8.0.4

Rev:  
 Id: 1/1